

SMARTER STILL WITH SMART GUIDES

# The **SMART** Guide to Patents

\$18.95 US \$28.95 CN



## Smart Inventors Patent Roadmap

- ▶ Patent defined and explained from A to Z
- ▶ The Role of the Patent Office and the Courts
- ▶ European vs. US Patent Law explained
- ▶ Insider's expert guide to describing your invention
- ▶ How to conduct a prior art search
- ▶ Key concepts - revealing too much vs. too little
- ▶ Developing your patent after grant
- ▶ Patent litigation companies
- ▶ The right attorney for infringement litigation
- ▶ Extensive Patent vocabulary, expert pointers, illustrations, investor beware tips

This smart guide explains exactly what a patent is and how to work the United States Patent Office legal system for your benefit. You'll learn how to determine whether your invention is patentable. Inside information helps you predict the value of your invention, handle the legal pathway and get a Patent granted. Covers the "2011 America Invents Act." President Obama has 'thrown out the book' on the old patent system: Read about the new "2011 AIA" patent law here.

You will find essential concepts that will protect you and your rights. Everything you need to receive your patent. Steps to take to make sure you own your invention instead of your employer or a university. Key information will help you determine whether and when you need a patent - intellectual property - attorney and how to select the right lawyer for you. Sample Assignment Agreements to lock in ownership of your invention plus how to form your own company. You'll become knowledgeable like Steve Jobs, and Bill Gates

You'll master these key Patent areas to protect your inventions and make you rich:

- ▶ What Exactly is a Patent
- ▶ The steps in getting a patent granted
- ▶ Developing a Patent once it's been granted
- ▶ How to respond to infringers
- ▶ The right attorney for infringement litigation
- ▶ Famous wins and losses in Patent litigation that will give you great insight

Smart Guide to Patents will make you a pro in this often confusing and mysterious area. You'll become knowledgeable, understand the right questions to ask and the steps to take to get your patent granted, protect your ideas and inventions and build more wealth.

### YOU'RE SMARTER STILL

with **Aaron Filler** by your side.



Dr. Aaron Filler is an internationally prominent inventor and technology entrepreneur. He is a Harvard PhD and University of Chicago MD. Dr. Filler is the sole or lead inventor on numerous granted US and international patents for significant advances in chemistry, pharmaceuticals, medical devices and medical imaging. His work has been featured in the New York Times, the LA Times, The Economist, and the London Times.

ISBN: 978-0-9834421-0-3 5 1895

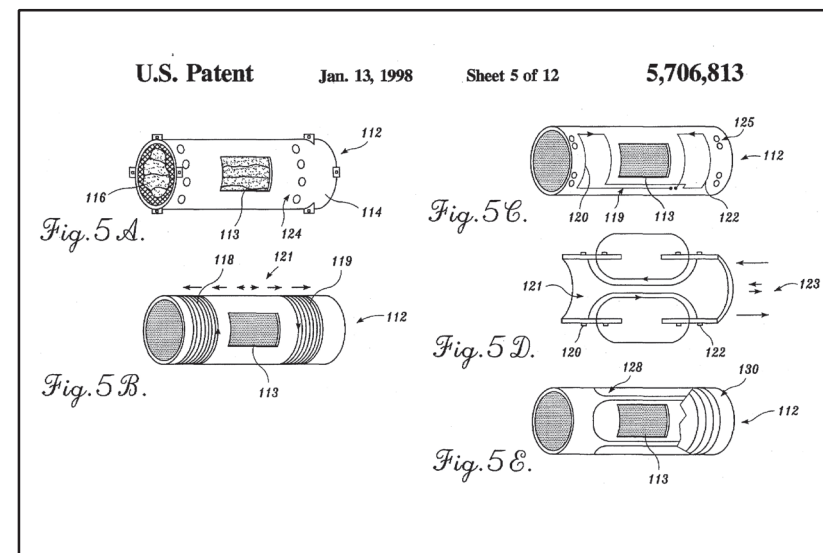


The **SMART** Guide to Patents

Filler

# THE **SMART** GUIDE TO

# PATENTS



Covers the "2011 America Invents Act" which every inventor needs to know

Getting the best possible patent on your idea

Finding the right patent attorney

Taking the steps now so you can win big later if someone infringes

SG

Aaron Filler